



PROJECT		REF		REV	ITEM CODE	
LOCATION		DATE			PAGE	

## SANITARY WARE SPECIFICATION SHEET

Item Descriptions	GROHE (Germany) "Grandera" Single-lever mixer with 2-way diverter	Illustration/ Drawing
Dimensions	L158 x W134 x H196 mm	 
Model	24068IG0 (Mixer) 35600000 (Mounting box)	
Finish / Material	Chrome Plated & Gold	
Country of origin	Germany	
Manufacturer	GROHE Limited	
Supplier	Acme Sanitary Ware Co. Ltd Mr. Eric Wong/ Mr. Don Yuen	
Contact Tel/Fax E-mail Website	(852) 2388-7171 / (852) 2710-8012 acme@acmesanitary.com.hk www.acmesanitary.com.hk	
"Grandera" <b>Single-lever mixer with 2-way diverter</b>	<b>GROHE Rapido SmartBox</b>	
<ul style="list-style-type: none"> <li>· set for final installation for</li> <li>· GROHE Rapido SmartBox 35 600</li> <li>· <b>GROHE SilkMove</b> 46 mm ceramic cartridge</li> <li>· <b>GROHE StarLight</b> chrome finish</li> <li>· wall escutcheon with <b>GROHE QuickFix</b> (covered escutcheon- and shaft sealing, covered fixing)</li> <li>· metal escutcheon, retroactively 6° adjustable</li> <li>· metal lever</li> <li>· automatic 2-way diverter</li> <li>· flow performance: outlet B = 27 l/min, outlet C = 27 l/min</li> <li>· <b>without roughing-in-set</b></li> </ul>	<ul style="list-style-type: none"> <li>· Universal rough-in box, 1/2"</li> <li>· 3 outlets 1/2"</li> <li>· 2 inlets below, 1/2"</li> <li>· installation depth 75-105 mm</li> <li>· connection unit in DR brass</li> <li>· pre-mounted flushing plug</li> <li>· stable build-in box and protective cover</li> <li>· fixing options for solid walls and dry cladding</li> <li>· gasket</li> <li>· without set for final installation</li> </ul>	
24068000   24068IG0   24068LG0   24068DA0		
		<b>Colour options:</b> <ul style="list-style-type: none"> <li>000   StarLight Chrome</li> <li>GL0   Cool Sunrise</li> <li>DC0   SuperSteel</li> <li>GN0   Brushed Cool Sunrise</li> <li>DA0   Warm Sunset</li> <li>DL0   Brushed Warm Sunset</li> <li>A00   Hard Graphite</li> <li>BE0   Polished Nickel</li> <li>AL0   Brushed Hard Graphite</li> <li>EN0   Brushed Nickel</li> </ul>

Note: [YouTube \(Rapido SmartBox | Installation Video\) https://www.youtube.com/watch?v=KsWdVrq9fVI](https://www.youtube.com/watch?v=KsWdVrq9fVI)

\* All information of the above is for the reference only. No prior notice is made if any changes.



PROJECT		REF		REV	ITEM CODE	
LOCATION		DATE			PAGE	

## SANITARY WARE SPECIFICATION SHEET

# GROHE GRANDERA

MORE THAN 200 POSSIBLE COMBINATIONS WITH GROHE RAPIDO SMARTBOX

As concealed mixing valves for showers and bathtubs are becoming increasingly successful, concealed units are in great demand. With its minimum installation depth of only 75mm, GROHE's Rapido Smartbox can be easily installed for all showers/bathtubs. The Rapido Smartbox concealed body allows you to control up to three water outlets and is compatible with all GROHE concealed models.

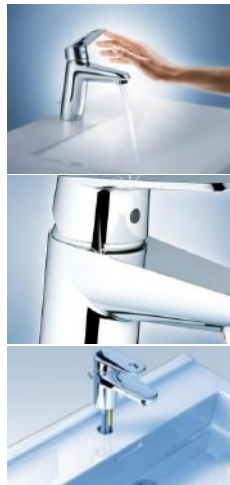
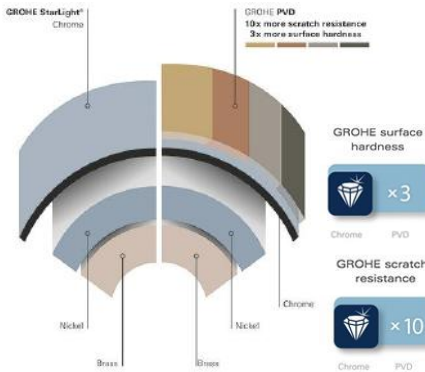
### TOMORROW'S GRAND STYLE

The GROHE Grandera collection is both a homage to an age of grandeur long past and an affirmation of modern sensibility, combining the highest standards of quality and craftsmanship with a love of detail and comfort.

Stylistically, the Grandera collection can be combined with a wide range of bathroom furnishings, with the added flexibility of two colors – chrome and chrome / gold.



**THE NEW GROHE RAPIDO SMARTBOX**  
A UNIVERSAL SYSTEM FOR INFINITE POSSIBILITIES



### GROHE SilkMove cartridge technology for smooth handling

This premium tap comes with a continuously variable water temperature and volume adjustment technology, ensuring effortless lever operation even after years of use.

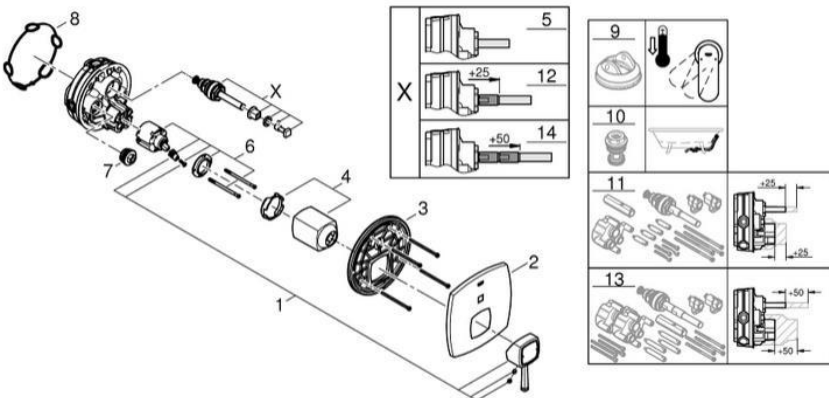
### Easy to clean thanks to the GROHE StarLight chrome coating

Just wipe the tap down with a dry cloth – the ultra smooth surface finish is scratch resistant and ensures a lasting luminous sheen. You'll save plenty of time cleaning while your tap always looks shiny and new.



### GROHE QuickFix Plus quick and easy installation in a few simple steps

Save time on the installation of your tap with GROHE QuickFix Plus. Consisting of fewer parts, our new system makes the installation process quicker and easier than ever.



Pos.-nr.	Prod. description	Order-nr.
1	Lever	468331G0
2	escutcheon	48433000
3	mounting plate	48438000
4	cap	48455000
5	Cartridge	46048000
6	diverter	48442000
7	Seal	48360000
8	non-return valves	49085000
9	Temperature limiter	46308000*
10	Backflow protection combination (DIN-EN1717)	14055000*

\* Optional accessories

Note:

\* All information of the above is for the reference only. No prior notice is made if any changes.